

Technical Data Sheet

CODE 25039

DEPURO PRO 300

Commercial air purifiers equipped with H14 HEPA filters

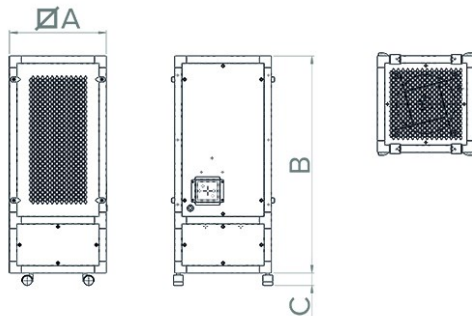


Certifications

TECHNICAL AND PERFORMANCE DATA

Absorbed Current max (A)	1,42	Weight (Kg)	50
Absorbed Power max (W)	170	altezza con ruote (mm)	975
Frequency (Hz)	50-60	Delivery max (m ³ /h)	833
Max ambient temperature for continuous operation (°C)	50	Pressione Sonora LP [dB (A)] 6m	44
Min ambient temperature for continuous operation (°C)	-25	RPM	3600
Voltage (V)	230	superficie fino a (m2)	100

DIMENSIONS



Size A (mm)	412
Size B (mm)	927
Size C (mm)	53

PER INFORMAZIONI:

Servizio al Cliente: tel +39 02 90699395 premendo 1 dopo messaggio registrato (consulenza su prodotti e impianti)

Pre & Post Vendita: fax +39 02 90699302

Email prevendita: prevendita@vortice-italy.com

Technical Data Sheet

CODE 25039

DEPURO PRO 300

Commercial air purifiers equipped with H14 HEPA filters



DESCRIPTION

Professional air purifier for commercial and industrial applications, maximum area 100 m², equipped with 2 HEPA H14 absolute filters, able to hold up to 99,995% of micro-particles and an LCD control panel with weekly scheduling.

- Extruded aluminum profile, thickness 30 mm, with nylon corners.
 - Steel sheet 25 mm sandwich panels, gray painted (RAL 9006), M0 Class, anti-corrosion finishing, acoustically insulated with fire-resistant A1 Class rock wool, density 90 Kg/m³.
 - Removable panels without special tools, granted by rapid fixing system, for a quick access to filters for ordinary maintenance. For filters replacement is strongly recommended the use of safety equipments (mask, gloves, glasses).
 - Rectangular inlet and outlet ports, equipped with protection grilles.
 - Double-stage filter system, composed by:
 - 2 x ISO Coarse 65% (G4) pre-filters, placed on inlet ports,
 - 2 x HEPA H14 absolute filters, able to hold up to 99,995% of micro-particles (equivalent diameter: 0,3 µm).
- The pre-filters on the inlet ports are able to hold macro impurities like

dust and animal fur, protecting the efficiency and life of absolute filters behind them. Filters replacement need is displayed on control panel.

- High efficiency motorfan, speed adjustable in the range 0-100%; consisting of a single-phase EC (brushless) external rotor, IP44 protection, insulation class B motor, directly coupled to a backward curved, self-cleaning, statically and dynamically balanced centrifugal impeller. Power supply: 230 V / 50-60 Hz.
- On-board control panel with LCD display, able to:
 - switch on/off the product,
 - set the daily programming for the automatic switch on/off,
 - set the operating mode: "Manual" or "Automatic" (according to the previously schedule set) mode,
 - set the airflow,
 - show the filters saturation and the consequent need of their replacement.
- 4 wheels for an easier product transportation.
- Power cable, 3 meters length, equipped with plug.

ACCESSORIES



**2FTR-ISO
COARSE 65%
(G4)-DEPURO
PRO 300**

Code 13041



**2FTR-H14-
DEPURO PRO
300**

Code 13043

PER INFORMAZIONI:

Servizio al Cliente: tel +39 02 90699395 premendo 1 dopo messaggio registrato (consulenza su prodotti e impianti)

Pre & Post Vendita: fax +39 02 90699302

Email prevendita: prevendita@vortice-italy.com